

WT-GLED4210

42" Wavex Interactive Touch LCD

The latest touchscreen technology is integrated into the screen enabling it to be ten touch, allowing multiple users. The HD resolution and high brightness display means that images are clearly visible and unlike projection based interactive solutions, there is no shadowing.

Key Features

Multi touch enables Active Learning

The 10-point multi touch in Wavex interactive displays are precise and enhance collaboration and therefore "active learning".

EZ port for Second Teacher/Presenter

Ez port situated on the side of Wavex interactive touch display allows an easy access to the ports so that a second teacher or presenter can easily get connected to the display and is ready to share.

Ultra Durable product

30000 hours of life with the use of commercial panel and metal chassis makes Wavex interactive touch display one of the most durable displays in the market.

Touch interactive on Demand

With a touch of a button on remote control, the presenter can control when he wants the screen to be touch enabled and when not.

HD technology for Vivid Images

Wavex interactive touch display are available with HD technology, which offers better resolution, and color fidelity. The HD technology in the displays helps you to be future ready, when the content will be HD and the current content will look good on HD displays.

Ambient Light Sensor(ALS) for long life

ALS enhances the life of the Wavex interactive touch displays, as it helps the display to adjust its brightness based on the ambient light of the room. This also helps the viewers as they do not strain their eyes while watching the display.

Anti Reflective Glass for Clear Vision

Wavex interactive touch displays come with anti reflective glass. This improves the efficiency since less light is lost and it helps participants to see the display clearly without any reflection of ambient lights.

Plug and Play for ease of use

Wavex interactive touch displays are HID compliant and work with any platform: PC, Mac, Android and iOS.

Freeze Image

The presenter can use Freeze Image function to toggle between lessons and files to select for sharing without participants seeing the content. This is a mandatory function required by every presenter in this day of collaboration.

Auto Signal Detection Technology (ASDT) for Green technology

Wavex interactive touch display saves electricity as it switches on or off automatically by sensing signal input to the display. This feature makes them the best in class green technology product.

ideate . create . collaborate

Display - WT-GLED4210

Diagonal size	42 inch
Glass type	4mm, AG glass
Panel resolution	1920 x 1080
Native resolution	1920 x 1080
Brightness	350 nits
Contrast ratio	3000:1
Response time (grey to grey)	6.5ms
Aspect ratio	16:9
Display colours	16.7M
Viewing angle horizontal / vertical	178°/178°
Pixel pitch (mm)	0.4845(H) x 0.4845(V)
Back light unit	LED
Back light life	30,000 hrs

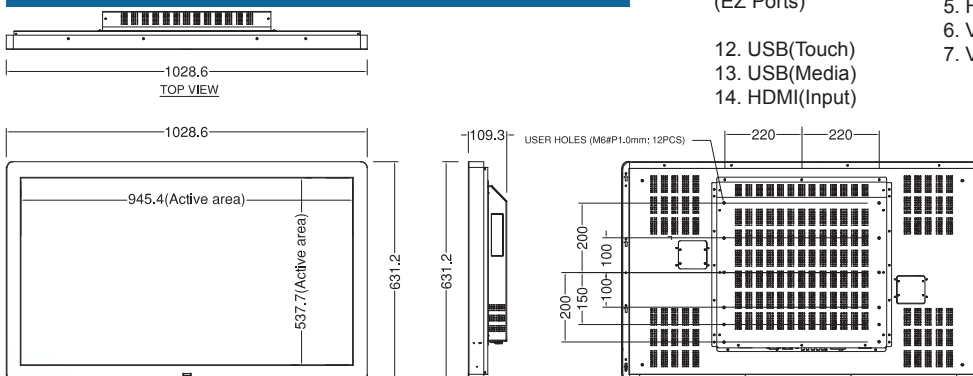
Connectivity

Video input (analogue)	VGA x1
Video input (digital)	HDMI x3(2x I/O port, 1x EZ port)
Video output	VGA x1, HDMI x1
Audio input	Audio x1 (3.5mm mini jack)
Speaker output	Audio x1 (3.5mm mini jack)
USB (for touch)	USB x2(1x I/O port, 1x EZ-port)
USB (for media devices)	USB x2(1x I/O port, 1x EZ-port)
Communication input port	RS-232, Remote Handset

Features

Video	Color temp.	Standard/Cool/Medium/Warm
	Progressive scan	Yes
Sound	Sound	User(Treble/Bass)/Standard/Music/Movie/Sports
	Output	10W x2
	Built-in speakers	10W x2
Function	Languages	English/French/Spanish/Portuguese/Arabic/Sim. Chinese
	Auto ambience detection	Auto Ambient Light Detection
	IPC Slot Available	Yes(External)

Dimension



1000 N. West St. Suite 1200, Wilmington, DE 19801, United States of America
 T: +1 302.295.5047 F: +1 302.295.4801

Physical Specification

Dimensions (not incl. stand) mm	1028.6(w) x631.21(h) x109.3(d)
Product weight	28kgs
VESA mount	440 x 400
Green approvals	RoHS compliant
Regulatory approvals	CE/FCC
Thickness of toughened glass	4mm
Operating Temperature	0-50°C
Operating Humidity	10-90% RH

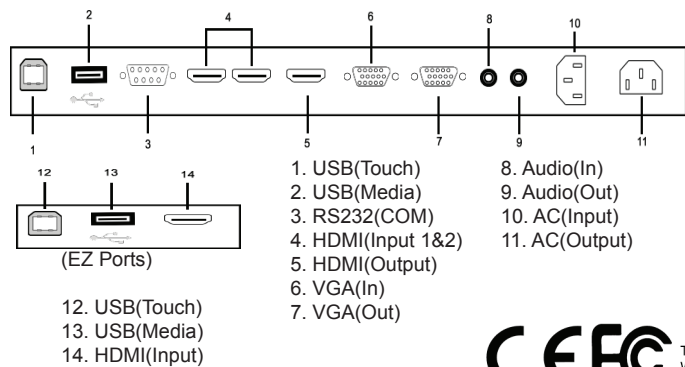
Touch System

Detection method	Surface Light Wave- 10 point
Touch tool	Stylus, Finger, Solid Object
Accuracy	±2mm
Read speed	>100 frame/s
Response time	<10ms
Effective Screen Size(WxH)	945.4 x 537.7 (mm)
Interface	USB
Supported OS	Windows, Mac, Linux
Touch driver for Windows	Plug & Play(No driver required)
Touch driver for Mac	Yes
Touch driver for Linux	Yes

Power

Power consumption	< 95 watts
Power consumption in standby mode	< 0.5 watts
Input Voltage AC	AC 100~240V 50/60Hz

Interface



Weight and dimensions are approximate. Specifications and design are subject to change without notice. This product may be subject to export control regulations.

